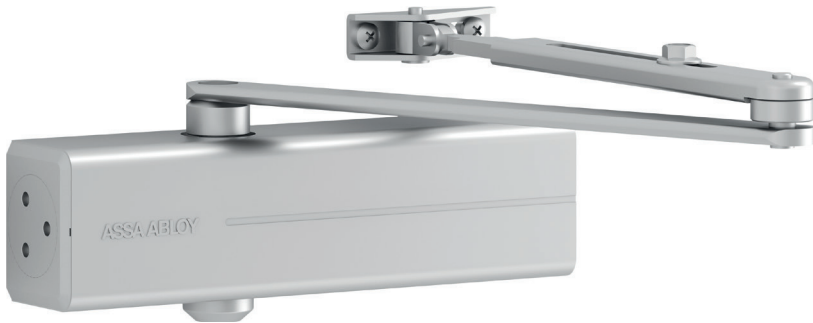


DC140

Rack and pinion door closer with link arm



ASSA ABLOY DC140

- Rack and pinion door closer with link arm
- Certified in compliance with EN 1154, size 2/3/4/5
- For single action doors up to 1250 mm wide

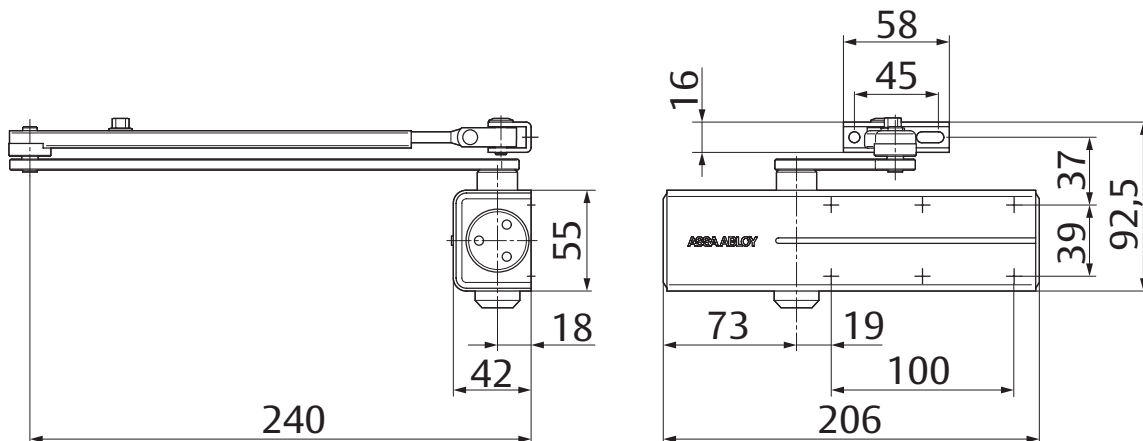
Characteristics of DC140

- Suitable for fire and smoke protection doors
- Can be used for left and right-handed doors
- Thermodynamic valves for consistent performance
- Closing speed, latching speed and backcheck adjustable via front facing regulating valves
- Closing force configurable
- Opening angle up to 180° (EN5 = 125°)
- Standard colours: silver EV1; white, similar to RAL9016; brown, similar to RAL8014; black, similar to RAL9005

Rack & pinion systems



| | | | | | | | | | | | | | | | |
|----------------------------|--|---|----|---|-------|---|---|---|---|---|---|---|---|---|--|
| CE | ASSA ABLOY Sicherheits-technik GmbH Bildstockstraße 20 72458 Albstadt | | 16 | | | | | | | | | | | | |
| | EN 1154:1996/A1:2002/AC:2006-02 1121-CPR-AD5248 | | | | | | | | | | | | | | |
| DC140 | | <table border="1"> <tr> <td>4</td><td>8</td><td>2/3/4</td><td>1</td><td>1</td><td>4</td> </tr> <tr> <td>3</td><td>8</td><td>5</td><td>1</td><td>1</td><td>4</td> </tr> </table> | 4 | 8 | 2/3/4 | 1 | 1 | 4 | 3 | 8 | 5 | 1 | 1 | 4 | |
| 4 | 8 | 2/3/4 | 1 | 1 | 4 | | | | | | | | | | |
| 3 | 8 | 5 | 1 | 1 | 4 | | | | | | | | | | |
| Dangerous substances: None | | | | | | | | | | | | | | | |



DC140

Technical attributes

| Technical attributes | |
|----------------------------------|--|
| Door width up to | 1250 mm |
| Closing force | EN 2/3/4/5 |
| Suitable for fire doors | Yes |
| Handing | Left / right handed |
| Closing speed | Variable between 180°-15° / EN5 = 125°-15° |
| Latching speed | Variable between 15°-0° |
| Backcheck | Variable above 75° |
| Weight | 1.75 kg |
| Height | 55 mm |
| Depth | 43 mm |
| Length | 206 mm |
| Certified in compliance with | EN 1154 |
| CE marking for building products | Yes |

The advantages at a glance

| Customer segment | Advantages |
|------------------|--|
| Project planners | - Compact design - Modern design - Favourably priced, reliable closer model |
| Builders | - Quick and easy installation - Can be used for left and right-handed doors - Easy to adjust |
| Trade | - Inexpensive closer model for standard doors - All-inclusive package with door closer and link arm |
| User | - Largely unaffected by temperature fluctuations thanks to thermodynamic valves - Backcheck feature offers optimum protection for doors and walls |

Our service for you: here you can see the individual advantages of our door closer models for your respective field of business.

You can find the complete specification on the internet at: www.assaabloy.de

Specifications for DC140

- ASSA ABLOY Door Closer DC140 featuring rack and pinion technology in compliance with EN 1154
- Closing force configurable, EN size 2/3/4/5, for doors up to 1250 mm wide
 - Closing speed, latching speed and backcheck continuously adjustable
 - Suitable for fire and smoke protection doors
 - CE approved
 - Suitable for left and right handed doors

Accessories:

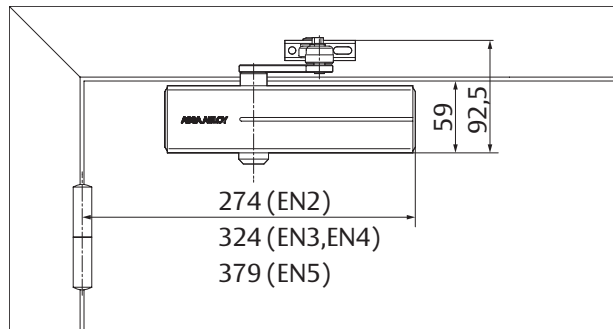
- Link arm L140
- Hold-open link arm L141 (not for fire and smoke protection doors)
- Guide rail G143 (not for fire and smoke protection doors)
- Parallel arm bracket A154
- Mounting Plate A161

Colour:

- Silver EV1
- White, similar to RAL9016
- Brown, similar to RAL8014
- Black, similar to RAL9005

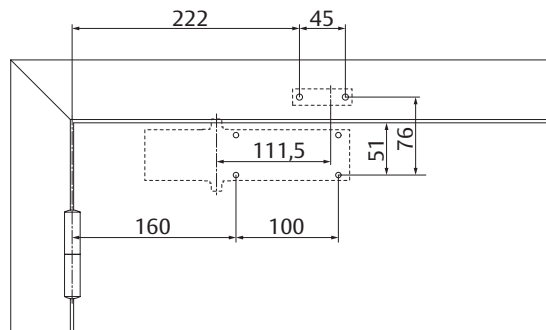
DC140

Dimensional drawings



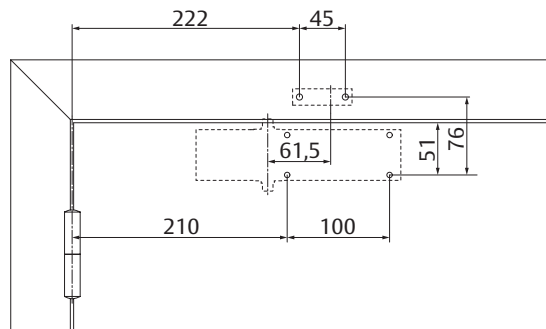
Required space on doors

Left handed shown in diagram
Right handed is the reverse



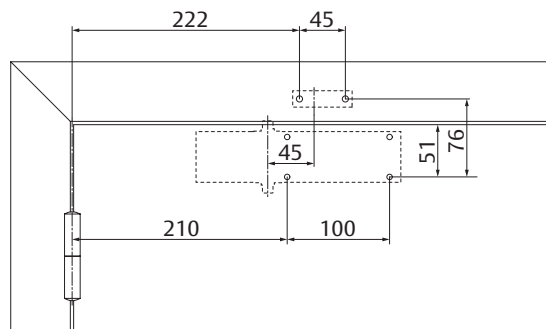
Installation dimensions

Installation dimensions
EN2



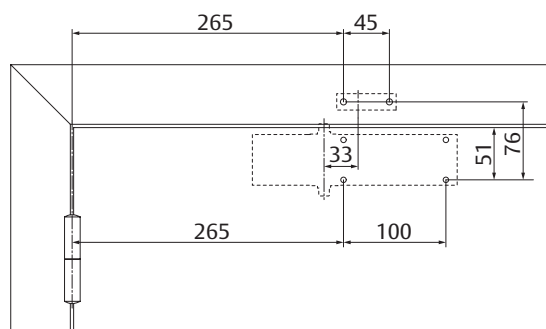
Installation dimensions

Installation dimensions
EN3



Installation dimensions

Installation dimensions
EN4

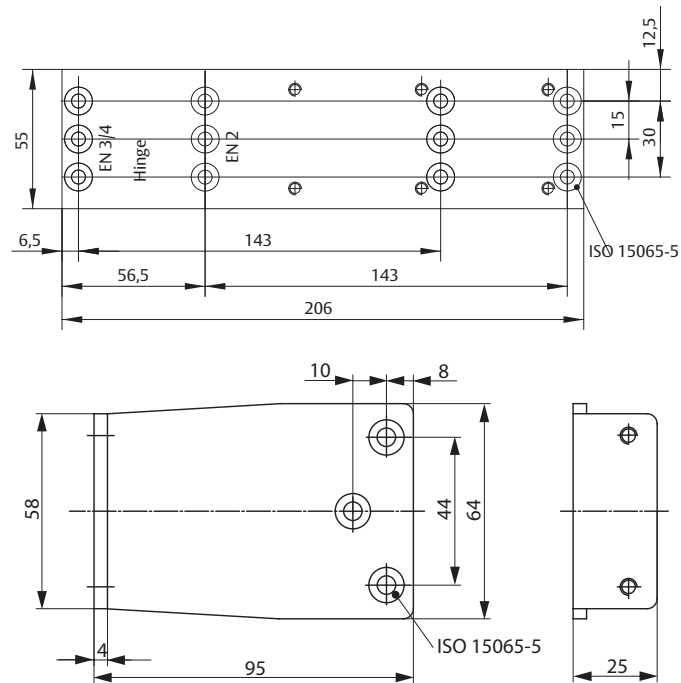


Installation dimensions

Installation dimensions
EN5

DC140

Accessories and order placement information



Mounting Plate A161

Parallel arm bracket A154

For Parallel Arm installation. Check suitability for use on fire and smoke protection doors.

| Designation / Item | Order no. | Designation / Item | Order no. |
|--|-----------------|--|-----------------|
| DC140 EN size 2/3/4/5, silver EV1 | DC140-----DEV1- | Hold-open link arm L141, black, similar to RAL9005 (Cannot be used with fire and smoke protection doors) | DCL141-----9005 |
| DC140 EN size 2/3/4/5, white, similar to RAL9016 | DC140-----D9016 | Parallel arm bracket A154, silver EV1 | DCA154-----EV1- |
| DC140 EN size 2/3/4/5, brown, similar to RAL8014 | DC140-----D8014 | Parallel arm bracket A154, white, similar to RAL9016 | DCA154-----9016 |
| DC140 EN size 2/3/4/5, black, similar to RAL9005 | DC140-----D9005 | Parallel arm bracket A154, brown, similar to RAL8014 | DCA154-----8014 |
| DC140 body EN size 2/3/4/5, silver EV1 | DC140-0---DEV1- | Parallel arm bracket A154, black, similar to RAL9005 | DCA154-----9005 |
| DC140 body EN size 2/3/4/5, white, similar to RAL9016 | DC140-0---D9016 | Guide rail G143 (not for fire and smoke protection doors), silver EV1 | DCG143-----EV1- |
| DC140 body EN size 2/3/4/5, brown, similar to RAL8014 | DC140-0---D8014 | Guide rail G143 (not for fire and smoke protection doors), white, similar to RAL9016 | DCG143-----9016 |
| DC140 body EN size 2/3/4/5, black, similar to RAL9005 | DC140-0---D9005 | Guide rail G143 (not for fire and smoke protection doors), black, similar to RAL9005 | DCG143-----9005 |
| Link arm L140, silver EV1 | DCL140-----EV1- | Mounting Plate A161, silver EV1 | DCA161-----EV1- |
| Link arm L140, white, similar to RAL9016 | DCL140-----9016 | Mounting Plate A161, white, similar to RAL9016 | DCA161-----9016 |
| Link arm L140, brown, similar to RAL8014 | DCL140-----8014 | Mounting Plate A161, brown, similar to RAL8014 | DCA161-----8014 |
| Link arm L140, black, similar to RAL9005 | DCL140-----9005 | Mounting Plate A161, black, similar to RAL9005 | DCA161-----9005 |
| Hold-open link arm L141, silver EV1 (Cannot be used with fire and smoke protection doors) | DCL141-----EV1- | Mounting plate A168, for link arm, silver EV1 | DCA168-----EV1- |
| Hold-open link arm L141, white, similar to RAL9016 (Cannot be used with fire and smoke protection doors) | DCL141-----9016 | | |
| Hold-open link arm L141, brown, similar to RAL8014 (Cannot be used with fire and smoke protection doors) | DCL141-----8014 | | |